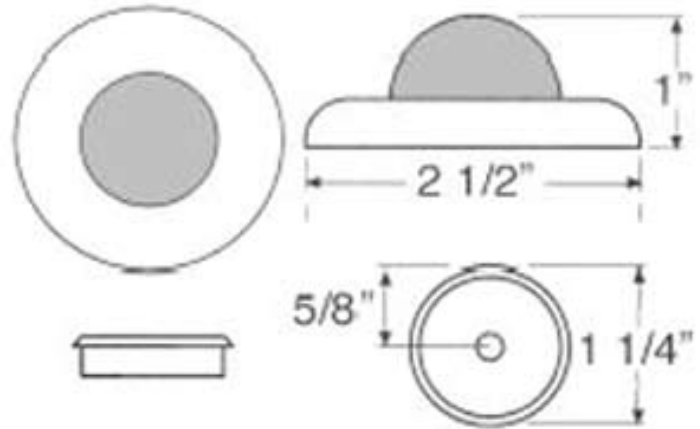


Wall Stops



**TSH406
(Convex Wall Stop)**



FEATURES

- **TSH406** – Concave Wall Stop.
- All Wall Stops Bases are Wrought Steel.
- Stops Individually Wrapped with Mounting Screws.
- Polybagged with:
 - 1 Plastic Anchor
 - 1 Sheet Metal Screw

SPECIFICATIONS

Stops - Stops shall be by **TownSteel** model number TSH406 and made of wrought steel. All stops to be provided with steel Phillips sheet metal screws to match finish. Each Stop shall be individually wrapped with mounting screws.